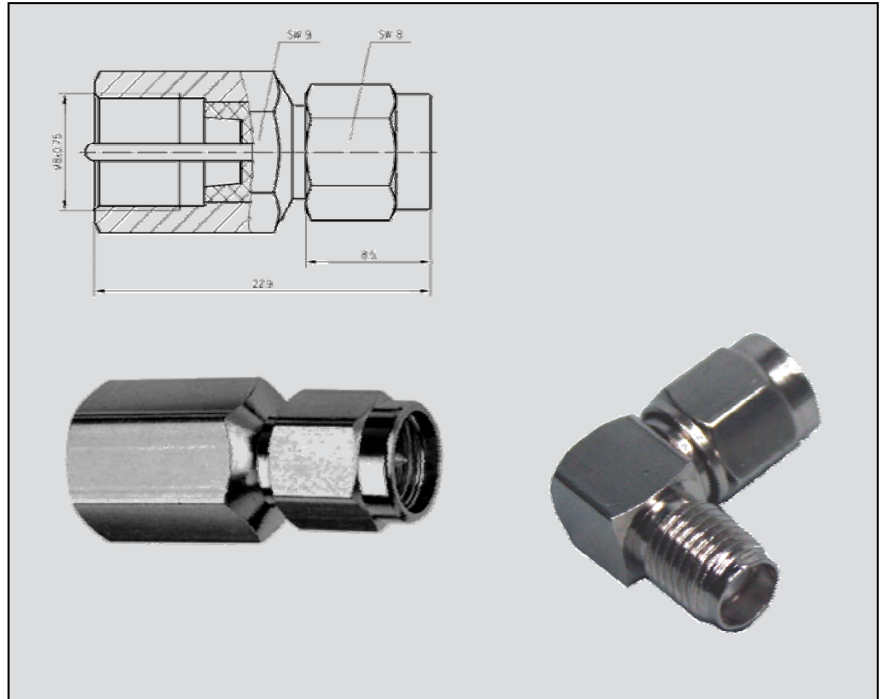


# Accessory

## Antenna adapter GSM 900/1800/1900

### Benefits:

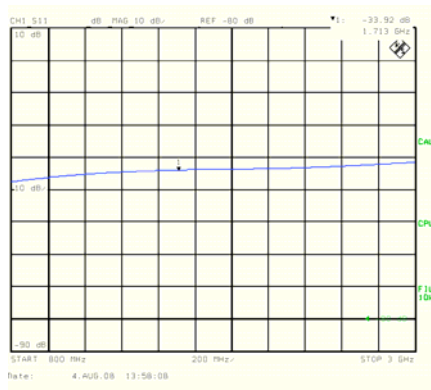
- Only suitable for indoor installation
- Special valuable processing
- Gilded internal conductor
- Small measurement
- Low loss



### Electrical Parameters

- |                        |   |
|------------------------|---|
| ▪ Radio                | GSM 900 GSM 1800 PCS 1900   |
| ▪ Frequencies (in MHz) | 850-960 / 1710-1880 / 1850-1990   |
| ▪ Internal conductor   | brass gilded  |
| ▪ Other metal          | brass nickel plated   |
| ▪ Isolation            | PTFE  |
| ▪ Seal                 | silicone  |
| ▪ Impedance            | 50 Ohm  |
| ▪ Connector            | FME on SMA (straight)<br>SMA on SMA (angulated)   |
| ▪ Order Number:        | 316442 (angulated, female connector on plug)<br>316299 (straight, female connector on plug) |

### Insertion loss



Dr. Neuhaus Telekommunikation GmbH  
Papenreue 65, 22453 Hamburg,  
Phone: +49 (40) 55 304 - 0, Fax: +49 (40) 55 304 - 180  
Internet: <http://www.neuhaus.de>, E-Mail: [sales@neuhaus.de](mailto:sales@neuhaus.de)

  
**Dr. Neuhaus**