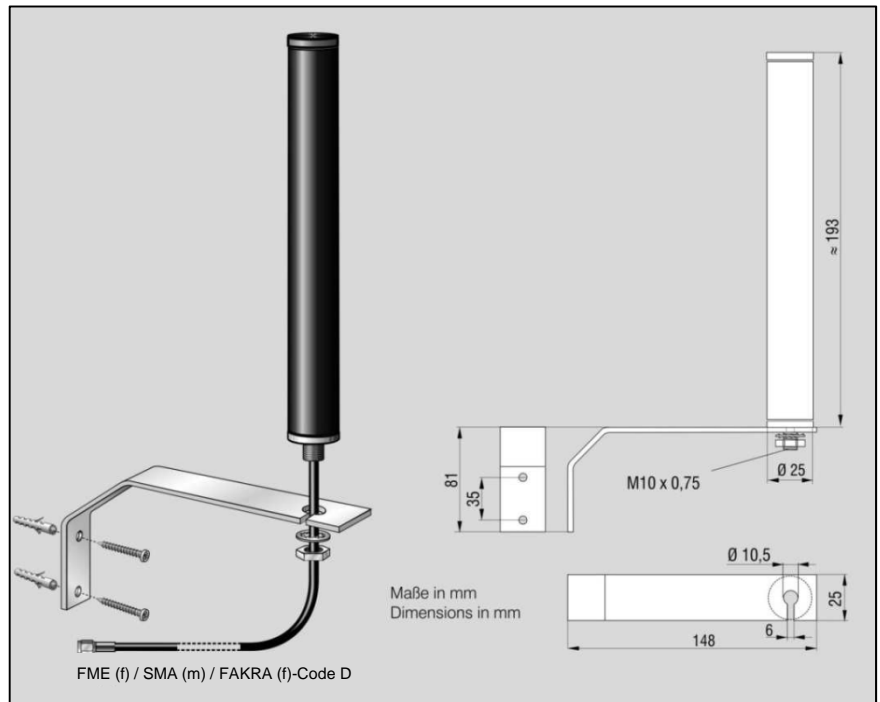


Benefits

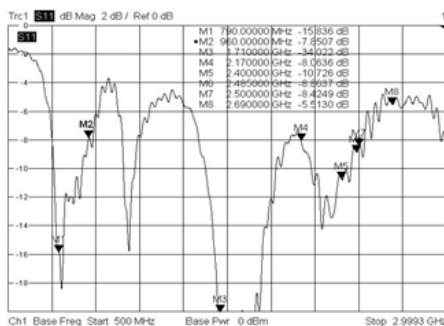
- Fixed antenna for vertical mounting via bracket
- High-quality antenna for indoor and outdoor installation
- The antenna has an omnidirectional radiation pattern in the horizontal plane (H-Plane)
- Overvoltage protection by electrically shorted inner and outer conductor
- The radiator is protected with a plastic tube against dust and wetness, protection class IP 65
- The antenna is UV resistant
- For MIMO applications (2 antenna diversity) min. 100mm clearance between antennas for an isolation of 15dB
- Avoid metallic surfaces close to the antenna (≤ 150 mm)
- The RF cable is connected fixed to antenna



Technical Data

Frequencies	790 - 960 MHz	1710 - 2170 MHz	2500 - 2690 MHz
Mobile networks 2G	GSM-850 / E-GSM-900	DCS-1800 / PCS-1900	
Mobile networks 3G	UMTS-850 / UMTS-900	UMTS-2100	
Mobile networks 4G	LTE-800 / LTE-900	LTE-1800 / LTE-2100	LTE-2600
Polarization	linear vertical		
Gain	2 dBi typ.		
VSWR	$\leq 2 : 1$	$\leq 2 : 1$	$\leq 3 : 1$
Return loss	≤ -10 dB	≤ -10 dB	≤ -6 dB
Maximum power	20 W		
Impedance	50 Ohm		
Cable	Low Loss (outside diameter = 5,5mm; bending radius = 40mm)		

Return Loss



Order Number	Cable	Connector	Notes
316572	5 m	FME (f)	
316589	5 m	SMA (m)	
316596	5 m	FAKRA (f)-Code D, angle	with adapter cable 200mm, FME (m) to FAKRA (f)-Code D, angle

Radiation Pattern

