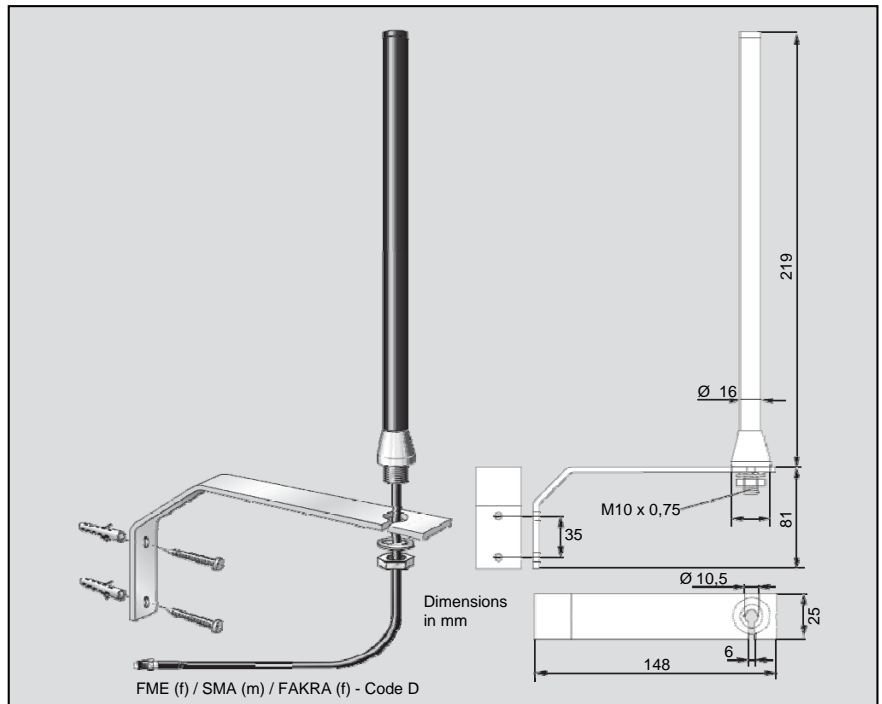


Benefits

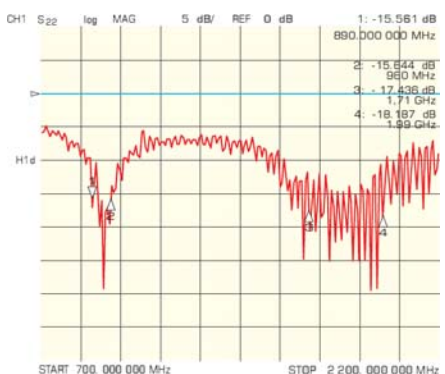
- Fixed antenna for vertical mounting via bracket
- High-quality antenna for indoor and outdoor installation
- The antenna has an omnidirectional radiation pattern in the horizontal plane (H-Plane)
- The radiator is protected with a plastic tube against dust and wetness, protection class IP 65
- The antenna is UV resistant
- Temperature range -40°C to +70°C
- Avoid metallic surfaces close to the antenna ($\leq 150\text{mm}$)
- The RF cable is connected fixed to antenna



Technical Data

Frequencies	880 - 960 MHz	1710 - 1990 MHz
Mobile networks 2G	E-GSM-900	DCS-1800 / PCS-1900
Polarization	linear vertical	
Gain	2 dBi typ.	
VSWR	$\leq 2 : 1$	$\leq 2 : 1$
Return loss	≤ -10 dB	≤ -10 dB
Maximum power	20 W	
Impedance	50 Ohm	
Cable	Low Loss (outside diameter = 5,5mm; bending radius = 40mm)	

Return Loss



Order Number	Cable	Connector	Notes
310099	5 m	FME (f)	
316244	5 m	SMA (m)	
816638	5 m	FAKRA (f)-Code D, angle	with adapter cable 200mm, FME (m) to FAKRA (f)-Code D, angle