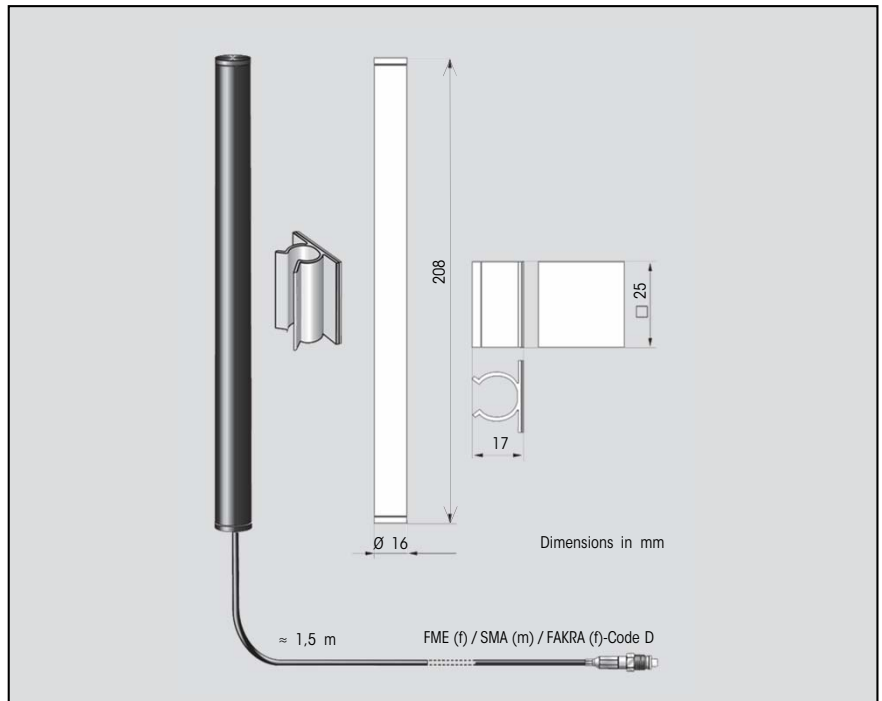


Benefits

- Fixed antenna for vertical mounting via clip fastening
- Suitable for indoor installation
- The antenna has an omnidirectional radiation pattern in the horizontal plane (H-Plane)
- Mounting on plastic-flats (in or on switchboards, housings, ...)
- For efficient operation keep distance to surrounding objects, metallic surfaces $\geq 100\text{mm}$
- The radiator is protected with a plastic tube against dust and wetness, protection class IP 52
- The antenna is UV resistant
- The RF cable is connected fixed to antenna



Technical Data

Frequencies	880 - 960 MHz	1710 - 1990 MHz
Mobile networks 2G	E-GSM-900	DCS-1800 / PCS-1900
Polarization	linear vertical	
Gain	2 dBi typ.	
VSWR	$\leq 2 : 1$	$\leq 2 : 1$
Return loss	≤ -10 dB	≤ -10 dB
Maximum power	20 W	
Impedance	50 Ohm	
Cable	RG 174 (outside diameter = 2,6mm; bending radius = 15mm)	

Return Loss



Order Number	Cable	Connector
310051	1,5 m	FME (f)
316237	1,5 m	SMA (m)
816607	1,5 m	FAKRA (f)-Code D, angle