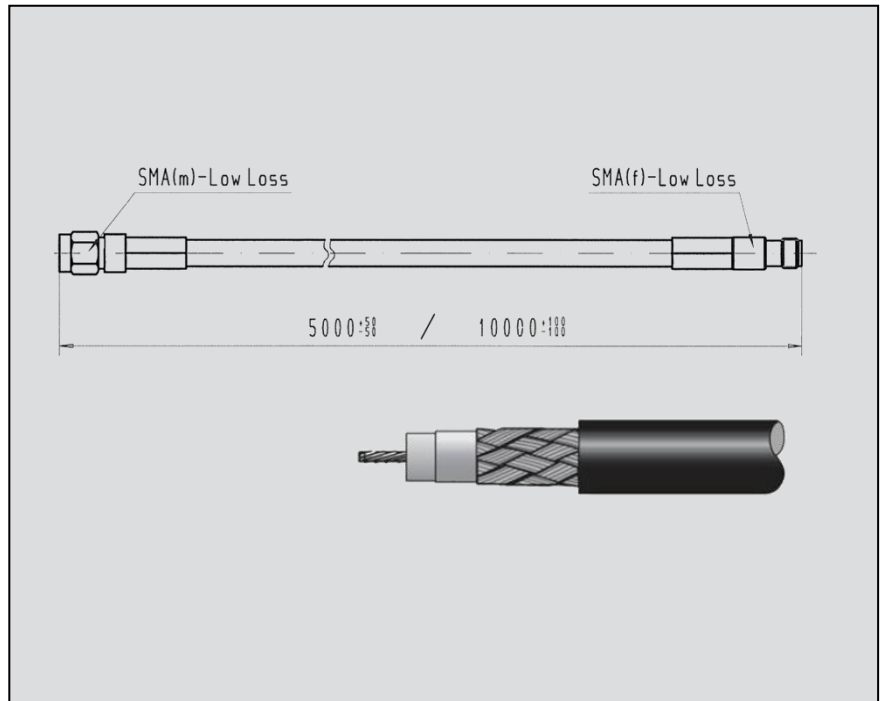


Key Features

- Suitable for indoors
- High performance and reliability due to quality construction
- HF-cable is firmly connected with the connector
- Low loss cable for excellent connection



Technical Data

- Frequency Bands GSM 900 | GSM 1800 | PCS 1900 | UMTS 2000
- Frequencies Ranges (in MHz) 850-960 | 1710-1880 | 1850-1990 | 1900-2200
- Loss

(5m)	≈ 1,6 dBi	≈ 2,3 dBi	≈ 2,4 dBi	≈ 2,5 dBi
(10m)	≈ 3,2 dBi	≈ 4,7 dBi	≈ 4,9 dBi	≈ 5,0 dBi
- Item no.:

Item no.:	Connector	Cable
316466	SMA (f) / SMA (m)	5 m, RG58
316473	SMA (f) / SMA (m)	10 m, RG58
316428	FME (f) / FME (m)	5 m, RG58
316435	FME (f) / FME (m)	10 m, RG58

Loss diagram

