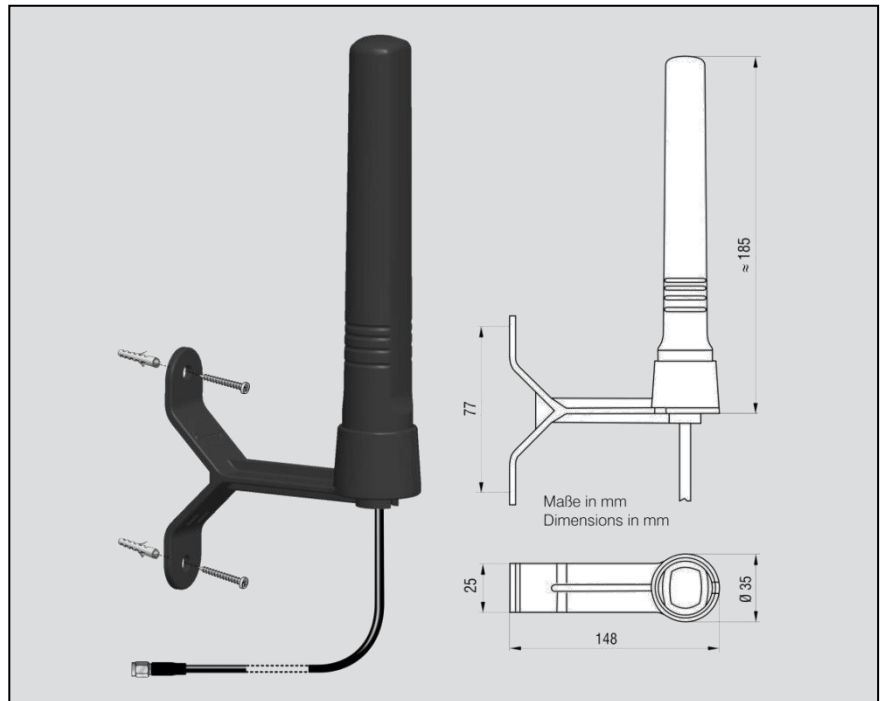


Benefits

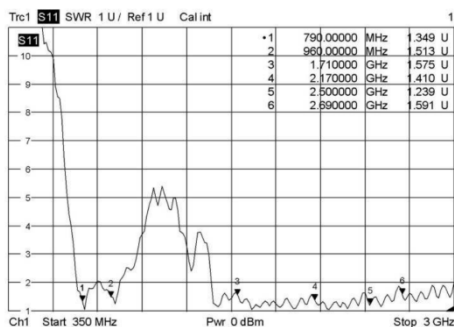
- Antenna with omni-directional characteristic
- Suitable for indoor and outdoor installation
- Fixed antenna for vertical mounting
- Improvement of the field strength situation within and outside of buildings
- Overvoltage protection by electrically shorted inner and outer conductor coaxial cable
- Radiator protected by a plastic tube against dust and moisture; protection class IP 54
- Antenna is UV-resistant
- Temperature range -40°C to +85°C
- RF cable is connected directly to antenna element
- For MIMO use suitably; minimum assembly distance between 2 antennas 10 cm with 15 dB uncoupling
- Avoid metallic areas close to the antenna ($\leq 150\text{mm}$)
- Mounting via bracket



Electrical Parameters

Frequency (MHz)	790-960	1710-2170	2500-2690
Radio Networks 2G	GSM-850 / E-GSM-900	DCS-1800 / PCS-1900	
Radio Networks 3G	UMTS-850 / UMTS-900	UMTS-2100	
Radio Networks 4G	LTE-800 / LTE-900	LTE-1800 / LTE-2100	LTE-2600
Polarization	Vertical		
Pattern	Omnidirectional azimuthal		
Gain	1 dBi \pm 0,5 dB	1 dBi \pm 0,5 dB	3 dBi \pm 0,5 dB
VSWR	$\leq 2,0 : 1$	$\leq 2,0 : 1$	$\leq 2,0 : 1$
Impedance	50 Ω		
Protection	Plastic case UV-resistance, waterproof IP 54		
Cable	Low Loss (outer diameter= 5,5mm; bending radius= 40mm)		

Return Loss



Dr. Neuhaus Telekommunikation GmbH
Papenröye 65, 22453 Hamburg,
Telefon: +49 (40) 55 304 - 0, Fax: +49 (40) 55 304 - 180
Internet: <http://www.neuhaus.de>, E-Mail: vertrieb@neuhaus.de

Article-Nr.	Cable length	Connector
316602	5m	FME (f)
316619	5m	SMA (m)
316626	5m	FAKRA (f)-Code D; with adapter cable 200mm, FME (m to FAKRA (f)-Code D, angled)



Dr. Neuhaus

Antenna Gain Measurement

