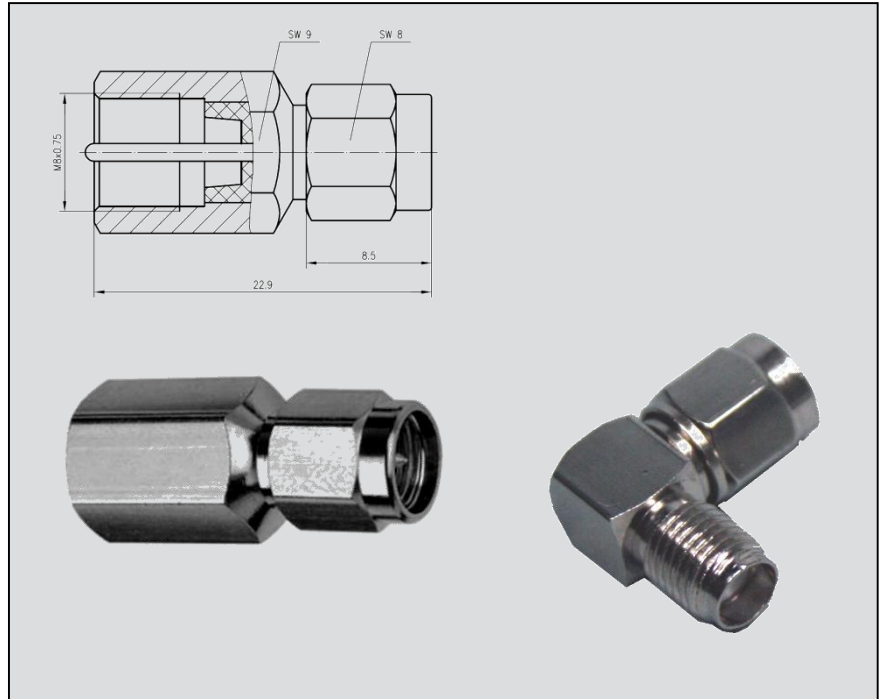


Accessory

Antenna adapter GSM 900/1800/1900

Benefits:

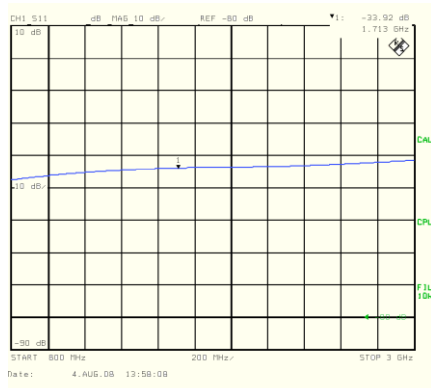
- Only suitable for indoor installation
- Special valuable processing
- Gilded internal conductor
- Small measurement
- Low loss



Electrical Parameters

- | | |
|------------------------|---|
| ▪ Radio | GSM 900 GSM 1800 PCS 1900 |
| ▪ Frequencies (in MHz) | 850-960 / 1710-1880 / 1850-1990 |
| ▪ Internal conductor | brass gilded |
| ▪ Other metal | brass nickel plated |
| ▪ Isolation | PTFE |
| ▪ Seal | silicone |
| ▪ Impedance | 50 Ohm |
| ▪ Connector | FME on SMA (straight)
SMA on SMA (angulated) |
| ▪ Order Number: | 316442 (angulated, female connector on plug)
316299 (straight, female connector on plug) |

Insertion loss



Sagemcom Dr. Neuhaus GmbH
Papenreye 65, 22453 Hamburg,
Phone: +49 (40) 55 304 - 0, Fax: +49 (40) 55 304 - 180
Internet: <http://www.neuhaus.de>, E-Mail: sales@neuhaus.de



Dr. Neuhaus