

Sagemcom



SICONIA® Water Meter UM

A solution for efficient remote management of cold water consumption for water companies

Specification

TECHNICAL SPECIFICATION

- Ultrasonic meter for residential use
- Mounting: Any position (H, V, H/V)
- Sensitive class: U0/D0
- Operating Water Temperature Range: +33°F to +122°F (+0.5°C to +50°C)
- Pipe material: Brass DZR & lead-free
- Headloss at SMOC: 10 psi

ADVANCED FEATURE

- Pressure Sensor

TECHNICAL CERTIFICATIONS

- FCC certification
- UL certification

DRINKING WATER CERTIFICATIONS

- NSF/ANSI 61 & 372

COMMUNICATION

- Wired Encoder Output (UII203)
- Nicor AMR 3 / Nicor AMR 4 / Three wired output
- 1.5 ft 5 ft or 25ft wire length



ADVANCED EDGE COMPUTING SERVICES

- Tamper detection logs and alarms
- Water quality management - backflow detection

ENERGY

- Lithium Thionyl Chloride battery
- More than 20 years lifetime*

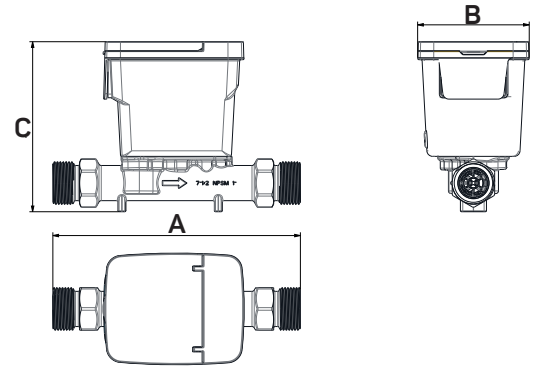
ENVIRONMENT

- Protection class IP68
- Operating Humidity: 0 to 99%
- Operating temperature: 32 - 158°F (0 - 70°C)

*Depends on radio configuration, associated data model and environmental conditions

Technical features

	SICONIA® UM20			
	SICONIA 5/8"X1/2"	SICONIA 5/8"X3/4"	SICONIA 3/4" SHORT & LONG	SICONIA 1"
Dimensions: A x B x C	7 1/2" x 3 1/16" x 4 11/16"	7 1/2" x 3 1/16" x 4 7/8"	7 1/2" x 3 1/16" x 4 7/8" 9" x 3 1/16" x 4 7/8"	10 3/4" x 3 1/16" x 5 1/2"
Safe Maximum Operating Capacity (SMOC)	25 gpm (+/-1.5%)	30 gpm (+/-1.5%)	35 gpm (+/-1.5%)	55 gpm (+/-1.5%)
Minimal flow rate	0.05 gpm	0.07 gpm	0.07 gpm	0.25 gpm
Max operating pressure	232 psi	232 psi	232 psi	232 psi
Thread size	3/4" NPSM	1" NPSM	1" NPSM	1 1/4" NPSM



LCD Interface

The complete range of SICONIA® Water WM meters offers a reversible LCD display.

1	The measured volumes are indicated in gal, m³ and ft³ and flows in gal/mn and l/h.
2	Animated icons showing when there is an active flow through the meter
3	Certified information
4	The meter is in a backflow situation
5	The water line is not filled with water
6	One or more events/alarms are currently active
7	RF status information
8	Battery level information
9	Reverse screen



All rights reserved. The information and specifications included are subject to change without prior notice. Sagemcom Energy & Telecom tries to ensure that all information in this document is correct, but does not accept liability for error or omission. Non contractual document. All trademarks are registered by their respective owners. Simplified joint stock company Capital 36 626 034,60 Euros - 518 250 337 RCS Nanterre. 05/2026

Sagemcom Energy & Telecom USA LLC

1301 W President George Bush Hwy,
Richardson, TX 75080, United States
Tel: (+1) 972 896 6227

www.sagemcom.com